

# WTM

## Liquid & Gas housing

Small housings with sanitary finishing designed for gas and liquid filtration and sterilization.

WTM housings are made of stainless steel with sanitary finishing suitable for food & beverages and pharma applications .

WTM series is available in the following configurations :

- all clamp connections, typical for microbiologic and dangerous fluid applications.
- vent/drain threaded and IN-OUT with clamp for microbiologic, food & beverages and non dangerous fluid applications.
- base configuration with all threaded connections for the general



### Main Features

- Housings are suitable for installing a wide range of filter element SOE 1001 code.
- Each housing is identified with a serial number for full traceability.
- Easy and safe installation.
- Compliant to “ PED “ and “ATEX” Directives.

#### Construction materials

Housing: stainless steel 316L  
Clamp body: stainless steel 304  
O-ring: silicon

#### Surface finishing

Inside: polishing  $R_a \leq 0,4$  mm for models with clamp connections .  
          polishing  $R_a \leq 0,8$  mm for model with threaded connections .  
Outside: polishing  $R_a \leq 0,8$  mm.

#### Design and construction

In accordance to the European Directive PED 2014/68/UE and ATEX 2014/34/UE.

#### Certifications

UE declaration of conformity PED / ATEX and user guide supplied within the product.  
EN 10204 3.1 supplied upon request.

## Specifications

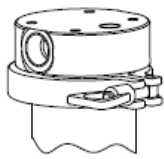
Model	IN-OUT Connections	Drain	Vent	Weight Kg	Dimensions (mm)				Filter element size
					A	B	C	D	
WTM-R25-01-S-CC-HB	TC 1"	TC 1/2"	TC 1/2"	1,9	210	151	140	18	1001
WTM-R25-01-S-XX-SB	TC 1"	1/4" ISO 228-1	1/4" ISO 228-1		200	151			
WTM-F15-01-S-XX-SB	1/2" ISO 228-1	1/4" ISO 228-1	1/4" ISO 228-1	1,6	200	79	/		

### PED & ATEX Conformity Assessment Category

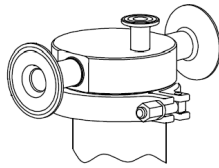
Model	Fluid group	PED	ATEX
WTM-R25-01-S-CC-HB	Dangerous Group 1	Art.4 Par.3	II 2 GD II C
WTM-R25-01-S-XX-SB	Non dangerous Group 2		
WTM-F15-01-S-XX-SB			

### Operating limits

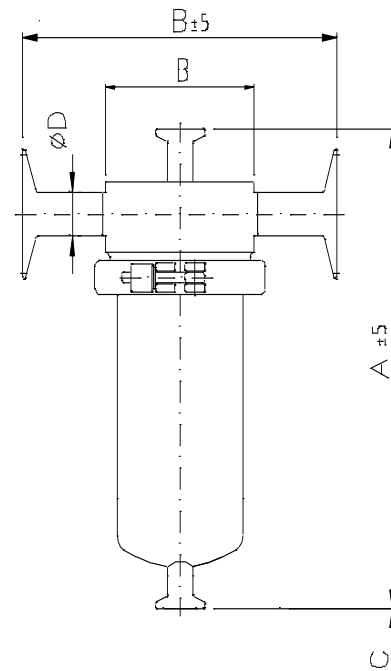
Fluid state	Min/Max Temp.	Min/Max Pressure
Gas / Liquid	-20°C / + 150 °C	-1/10 bar



Clamp SB standard version



Clamp HB for dangerous fluids



### Accessories

Description	Model
- AISI 316L 1/2" TC sanitary valve - AISI 304 1/2" single pin clamp - Gasket FDA (ø 6 mm Hosebarb)	<b>KC-V-S-R15-XS-HSB</b>
- AISI 304 1/2" single pin clamp - Blind end cap - Gasket FDA	<b>KC-V-T-R15-XS</b>
AISI 316 ball valve with PTFE ball seat 1/4" ISO 228-1 male/female	<b>KC-V-B-M8-XX-FG</b>

### Code information

WTM	R25	01	S	CC	SB
Series	In-Out connections	Cartridge type	O-Ring material	Vent / Drain connections	Body clamp
	R25 F15	01 SOE 1001	S Silicone	CC 1/2" TC XX 1/4" gas	HB Single bolted clamp SB Standard clamp version

## Bea Technologies Spa

Via Newton,4 - 20016 Pero (MILANO) Italy  
Tel. +(39) 02 339271 / Fax+(39) 02 3390713  
mail: info@bea-italy.com  
web: www.bea-italy.com

The data are informative and subject to change without notice. User is responsible for determining whether the product is fit for particular purpose and suitable for User's method of application.

LY-WTM1-1025-EN-D6MG