

POLEX

- Large size filter element with reusable support
- Robust matrix media with decreasing porosity
- Faster change out operation
- High dirt holding capacity
- Precision filtration rating
- Materials for food contact
- Retrofit cartridges with 153 mm outside diameter.



POLEX filter element is larger than standard cartridges and is a valid alternative whenever smaller encumbrance, faster change out and less waste materials are required key factors by the end user.

POLEX cartridges are depth filter with high dirt holding capacity; the media is obtained by MELT-BLOWN technology process to guarantee the thermo-bonding of the microfibers; the result is a robust filter tube with decreasing porosity that has not an internal core or an external cage. POLEX filter element fits over a reusable stainless steel support which is part of the housing. POLEX, entirely manufactured using pure polypropylene, offers high chemical compatibility and therefore can be used in a broad range of applications.

MATERIAL OF CONSTRUCTION

Polypropylene

FOOD-SAFETY

POLEX filter element materials meet (EU) regulation 10/2011 and its amendments, regulations (EC) 1935/2004 and 1895/2005 .

DIMENSIONS

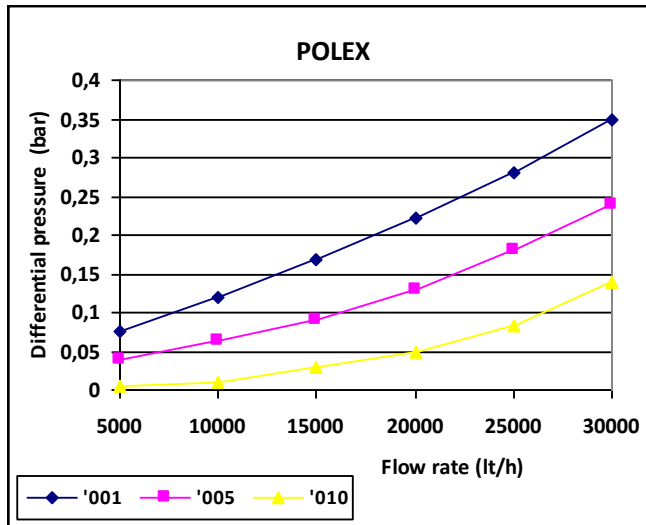
POLEX cartridge has diameter 153 mm and length 1016 mm.

OPERATING CONDITIONS

- max. continuous temperature	40 °C
- sanitization with hot water	70 °C max
- max. differential pressure	3,0 bar at 25 °C
- recommended change out differential pressure	1,0 bar at 25 °C

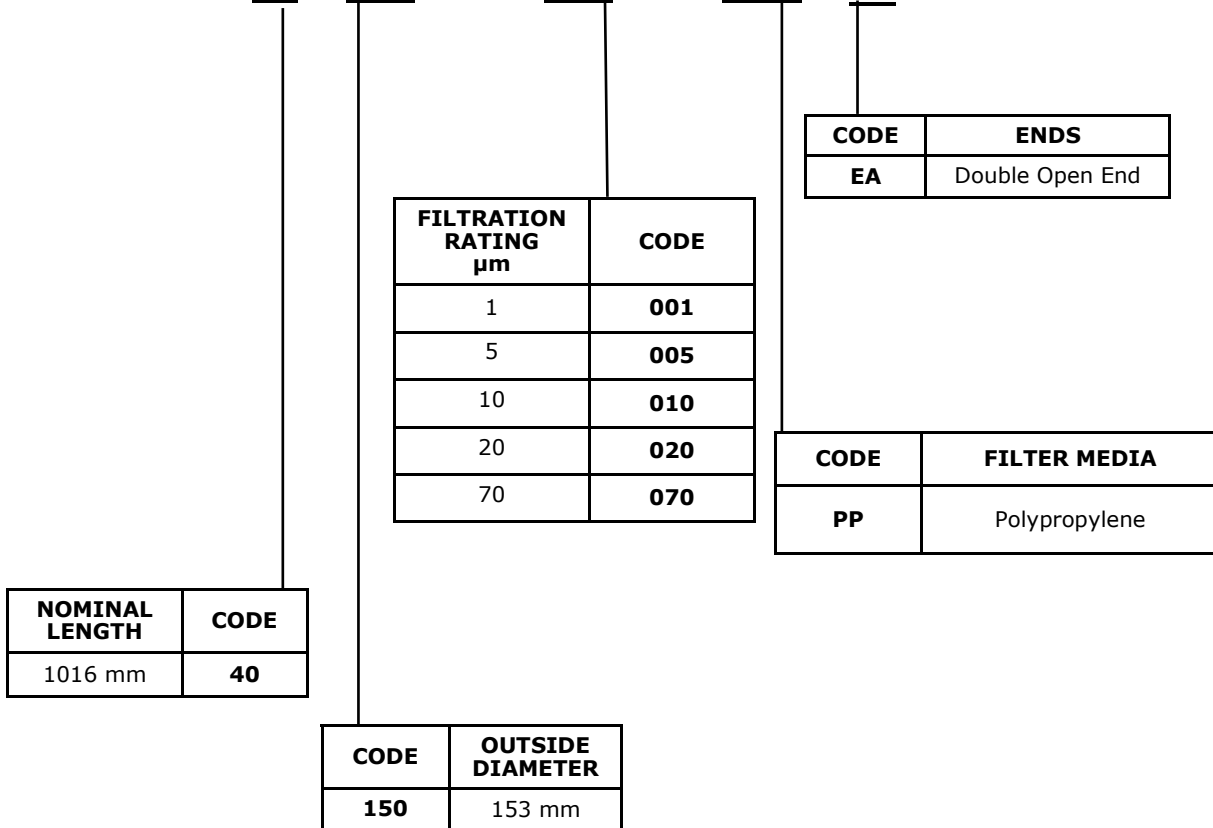
CODE	FILTRATION GRADE IN LIQUID (µm)	MAX RECOMMENDED FLOW RATE FOR CARTRIDGE (l/h)
001	1,0	12.000
005	5,0	24.000
010	10,0	30.000
020	20,0	36.000
070	70,0	50.000

WATER FLOW RATE



SELECTION CODE FOR ORDERING POLEX

PDL 40 - 150 - 005 - PP - EA



The data are informative and subject to change without notice. User is responsible for determining whether the product is fit for particular purpose and suitable for User's method of application.

Bea Technologies Spa

Via Newton,4 -20016 Pero (MILANO) Italy
 Tel.+(39) 02 339271 / Fax+(39) 02 3390713
 mail:info@bea-italy.com
 web:www.bea-italy.com