

PFC

In line connections sanitary housings

Stainless steel housings with in line connections suitable for use in the food industries for filtration and sterilization of liquids and gases.

The PFC series is complete with sanitary valves for venting and drainage.

The geometry of the housing is designed to reduce the overall dimensions, avoid stagnation areas and minimize the pressure drops.



Main features

- Fit filter elements size 20705 and 2071.
- Drain and vent valves with staubli connections.
- Tri-clamp in line connections.

Construction materials

Housing : stainless steel AISI 316L
Clamp closure : stainless steel AISI 304
Gaskets: standard silicone

Surface finishing

Internal: polished— $R_a \leq 0,4 \mu\text{m}$
External: polished— $R_a \leq 0,8 \mu\text{m}$

Design and construction

In accordance with PED European Directive.
Suitable for fluids group 1 and 2 in accordance with CE 1272/2008.

Certification

Declaration of conformity and user manual.

Model	In-Out connections	Filter element size	Weight Kg	Volume L	Sanitary vent valve	Sanitary drain valve	Nominal dimensions (mm)		
							A	B	C
PFC-R15-05-B7-L-S	1/2"TC	20705	3	1,3	Staubli RBE 03	Staubli RBE 03	232	170	132
PFC-R20-05-B7-L-S	3/4"TC	20705	3	1,3					
PFC-R25-05-B7-L-S	1" TC	20705	3,2	1,5					
PFC-R40-05-B7-L-S	1½" TC	20705	3,5	1,6					
PFC-R40-10-B7-L-S	1½" TC	2071	4,5	2,8			280		

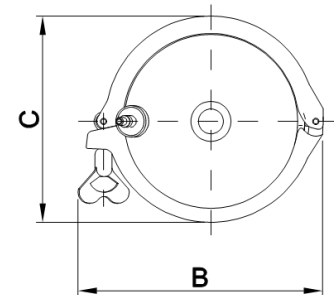
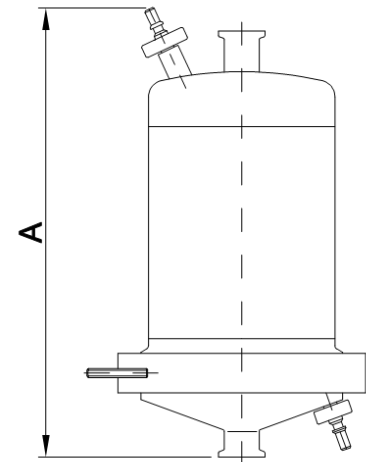
Note: the models indicated refer to the most used versions; for different configurations see the options indicated in the code description product.

Code information

Serie	IN-OUT Connections	Filter element length	Filter element connection	Finishing	O-ring material
PFC	R15	1/2" TC	B7	L	S
	R20	3/4" TC		E	
	R25	TC 1"			
	R40	TC 1 1/2"			
		05	5"		
		10	10"		
			Code 7 ORing 226		
				Mechanical polishing	Silicone std
				Electrical polishing	EPDM

Example code

PFC	-	R40	-	05	-	B7	-	L	-	S
-----	---	-----	---	----	---	----	---	---	---	---



Operating limits

Max pressure	Max temperature	In accordance with PED Directive		
		Fluid state	Fluid group	PED
10 bar	150°C	Liquid and Gas	1 (dangerous) 2 (not dangerous)	Art.4 par.3

Data contained in this bulletin are informative and subject to change without notice. User is responsible for determining whether the product is fit for particular purpose and suitable for User's method of application.



Bea Technologies Spa Via Newton, 4 - 20016 Pero (Milano) ITALY
 Tel +39 02 339271 FAX +39 02 3390713 e-mail: info@bea-italy.com
 web: www.bea-italy.com