

# VACUUM VIP **EVO**

## Medical Vacuum Filters

**Vacuum Vip<sup>EVO</sup>** is designed to protect the vacuum pumps used in medical applications and to prevent the external environment contamination from solid, liquid and microbiological contaminant.

### HIGHLIGHTS

- Pleated filter element BSV-DA high performance series with high dirt holding capacity and low pressure drops.
- Filter element with double O-ring gaskets to realize a perfect sealing.
- Differential gauge availability to check pressure drop.
- Easy and safe installation.
- Glass collector easy removable and sanitizable.



### APPLICATIONS

**Vacuum Vip<sup>EVO</sup>** are designed for medical applications in vacuum systems in hospital, pharmaceutical laboratories, dentist's surgery and other critical areas where it is recommended to protect the installations from bacteria contamination.

### EFFICIENCY

"**BSV-DA high performance**" filter elements are classified HEPA ISO 35H according to ISO 29463-1. The performance of the filtering system exceeds the requirements of the **Health Technical Memorandum 2022**, verified in accordance with the BS 3928 standard (sodium flame test).

### CARACTERISTICS

**Vacuum Vip<sup>EVO</sup>** housings are manufactured using anodized aluminium with coated paint finish and a transparent drain glass to collect contaminants.

"**BSV-DA**" high efficiency filter elements ensure long service life and low pressure drops thanks to the pleated media.

The filter element must be replaced at least every 6 months or when the pressure drop achieved the value of 0,5 bar.

Model	Connections ISO 228	Flow rate		Filter element	Nominal dimensions mm			
		Nm <sup>3</sup> /h	m <sup>3</sup> /h (350 mbar abs)		A	B	C	D
CLV-0105-XA	1/2"	16	48	BSV-0105-DA	244	94	21	50
CLV-0190-XA	3/4"	27	81	BSV-0190-DA	281	128	32	60
CLV-0300-XA	1"	41	126	BSV-0300-DA	337	128	32	60
CLV-0480-XA	1-1/4"	66	198	BSV-0480-DA	417	128	32	60
CLV-0700-XA	1-1/2"	120	360	BSV-0700-DA	518	190	50	80
CLV-1000-XA	2"	190	570	BSV-1200-DA	616	190	50	80
CLV-1200-XA	2-1/2"	200	600	BSV-1200-DA	616	190	50	80
CLV-1500-XA	3"	220	660	BSV-1500-DA	630	240	62	80
CMV-2300-XA	3"	300	900	BSV-2300-DA	985	240	62	80

Vacuum mbar abs	1013	500	400	350	300	200	100
Correction factors F1 *	1	2	2,5	3	3,3	5	10
Correction factors F2 **	1	0,5	0,4	0,35	0,3	0,2	0,1

\* To select the filter according to the conditions of final vacuum, multiply the flow in Nm<sup>3</sup> / h for the correction factor F1 on the final vacuum pressure.

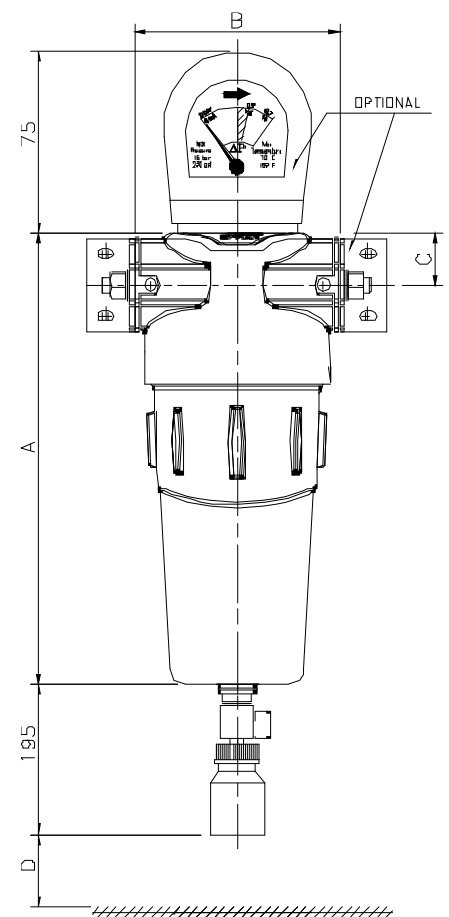
\*\* To know the effective range of the filter in vacuum condition, multiply the flow in Nm<sup>3</sup> / h for the correction factor F2.

### Operating limits

Min./max. operating temperature	+1 / +60°C
Min./max. working pressure	4 mbar abs/ 2000 mbar abs
Pressure drop at 1013 mbar abs	30 mbar

### Accessories

Differential pressure gauge XAM-200	For all models
<b>Wall mounting kit</b>	
XBS-D066-1	for filter CLV-0105
XBS-D096-1	for filter CLV-0190/0300/0480
XBS-D130-1	for filter CLV-0700/1000/1200



Data contained in this bulletin are informative and subject to change without notice. User is responsible for determining whether the product is fit for particular purpose and suitable for User's method of application.