

MAB-SP

Single cartridge housing for non dangerous fluids

Housings are designed for the filtration of non dangerous fluids that require the use of stainless steel materials.

The quick opening/closure device allows and easy maintenance operations.

Housings are available in 3 lengths to install a wide range of 5"-10"-20" filter elements, SOE (Single Open End) code 7 and DOE (Double Open End) for liquids, gases and vapours filtration.



Main features

- In line connections.
- Fit for wall fixing (N° 4 M6x6 threaded holes).
- Suitable for not dangerous fluids of group no. 2.
- Conformity to PED (Pressure Equipment Directive) and with ATEX for equipment used in potentially explosive areas.

Construction materials

Housing: 316 Stainless Steel

Clamp closure: 304 Stainless Steel

Gaskets: Viton (standard)

Surface finishing

Type S

(only for length 10" DOE type)

Head: blasted & electropolished

Bowl-cold forming: external polished / internal blasted

Type L

Head: blasted & electropolished

Bowl-welded : external polished / internal finely brushed & pickled

Design and construction

In accordance to the European Directive PED 2014/68/UE and ATEX 2014/34/UE

Documentation

UE declaration of conformity PED / ATEX and user guide.

Model	In-Out Connections	Cartridges	Weight	Volume	Drain	Vent	Nominal dimension (mm)			
	ISO 228	Size	Kg	L	ISO 228	ISO 228	G	E	F	L
MAB-SP-P05-B7-20-L-V	3/4"	SOE 20705	3	1,4	1/4"	1/8"	105	279	256	180
MAB-SP-P05-B7-25-L-V	1"									
MAB-SP-P10-00-20-S-V	3/4"	DOE 2001	3,5	1,9						
MAB-SP-P20-00-20-L-V		DOE 2002	5	3,5						
MAB-SP-P10-00-25-S-V	1"	DOE 2001	3,4	1,9						
MAB-SP-P20-00-25-L-V		DOE 2002	5	3,5						
MAB-SP-P10-B7-25-L-V		SOE 2071	3,6	2						
MAB-SP-P20-B7-25-L-V		SOE 2072	5	3,5						

Operating limits

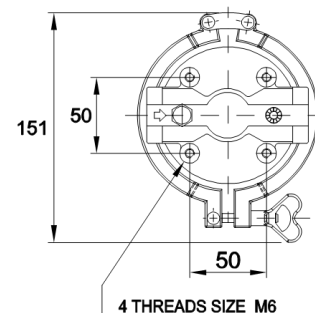
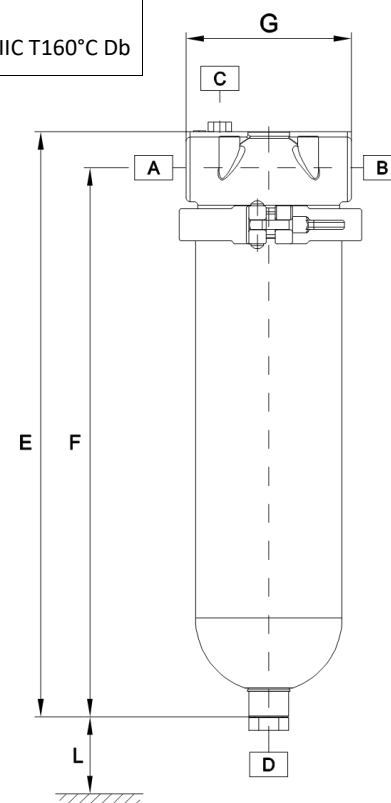
Series	Fluid state		PED & ATEX Conformity Assessment Category		
	Gas max Temp. 150°C (302°F)	Liquid max Temp. 90°C (194°F)	Fluid group	PED 2014/68/UE	ATEX 2014/34/UE
MAB-SP-P05	0-16 barg	0-16 barg	2 (non dangerous) *	art.4 par.3	II 2G Ex h IIC T160°C Gb
MAB-SP-P10					II 2D Ex h IIIC T160°C Db
MAB-SP-P20	0-14 barg				

* housings to be used with dangerous fluid, refer to series MAB-DD

Code information

MAB-	P10	B7	25	L	FS				
Series	Cartridge length	Cartridge Size	In-Out Connections	Surface Finishing	O-ring material				
P05	5" SOE	00 DOE	20 3/4" gas	S See table	V Viton				
P10	10"	B7 SOE code 7	25 1" gas	L first page	FS ¹ FEP + Silicone				
P20	20"								

¹ option not available for "S" surface finishing



Accessories

Description	Model
Ball drain valve 304 S.S. 1/4" M/F gas	KC-V-B-M8-XX-GF-PN40

Bea Technologies Spa

Via Newton,4 -20016 Pero (MILANO) Italy
 Tel.+(39) 02 339271 / Fax+(39) 02 3390713
 mail:info@bea-italy.com
 web:www.bea-italy.com

The data are informative and subject to change without notice. User is responsible for determining whether the product is fit for particular purpose and suitable for User's method of application.