

MAGNEX VIP

- Absolute retention ratings
- High dirt holding capacity
- High effective filtering area using flow distribution technology
- Enable the regeneration of filter elements inside housing
- Time reduction in change out operation
- EC-listed materials for Food contact
- Hot-melt assembling process



MAGNEX VIP is designed to filter large volume of liquids with high level of contamination and, as equipped with a highly selective filter media, to guarantee an absolute efficiency (99,98%) for particle retention.

The specific pleating technology allows to achieve optimal flow distribution between the media and the internal core, avoiding restriction and exploiting the full filtration surface area to generate higher throughput and service life.

The filter elements are well suited for fluids with high level of contamination or upstream protection of membrane cartridges.

The materials of construction are chemically and biologically inert and meet international requirements for Food contact.

Manufacturing is performed in a controlled environment to guarantee high standard quality.

MATERIAL OF CONSTRUCTION

Filter media	polypropylene
Upstream supports	polypropylene
Downstream supports	polypropylene
Internal Core	extruded polypropylene
External Cage	extruded polypropylene
End caps / Adapters	polypropylene

FOOD-SAFETY

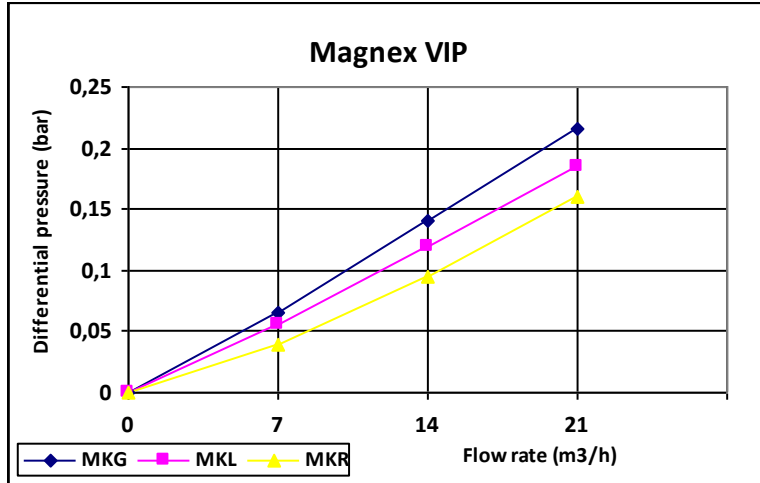
MAGNEX JET filter elements materials meet (EU) regulation 10/2011 and its amendments, regulations (EC) 1935/2004 and 1895/2005.

OPERATING CONDITIONS

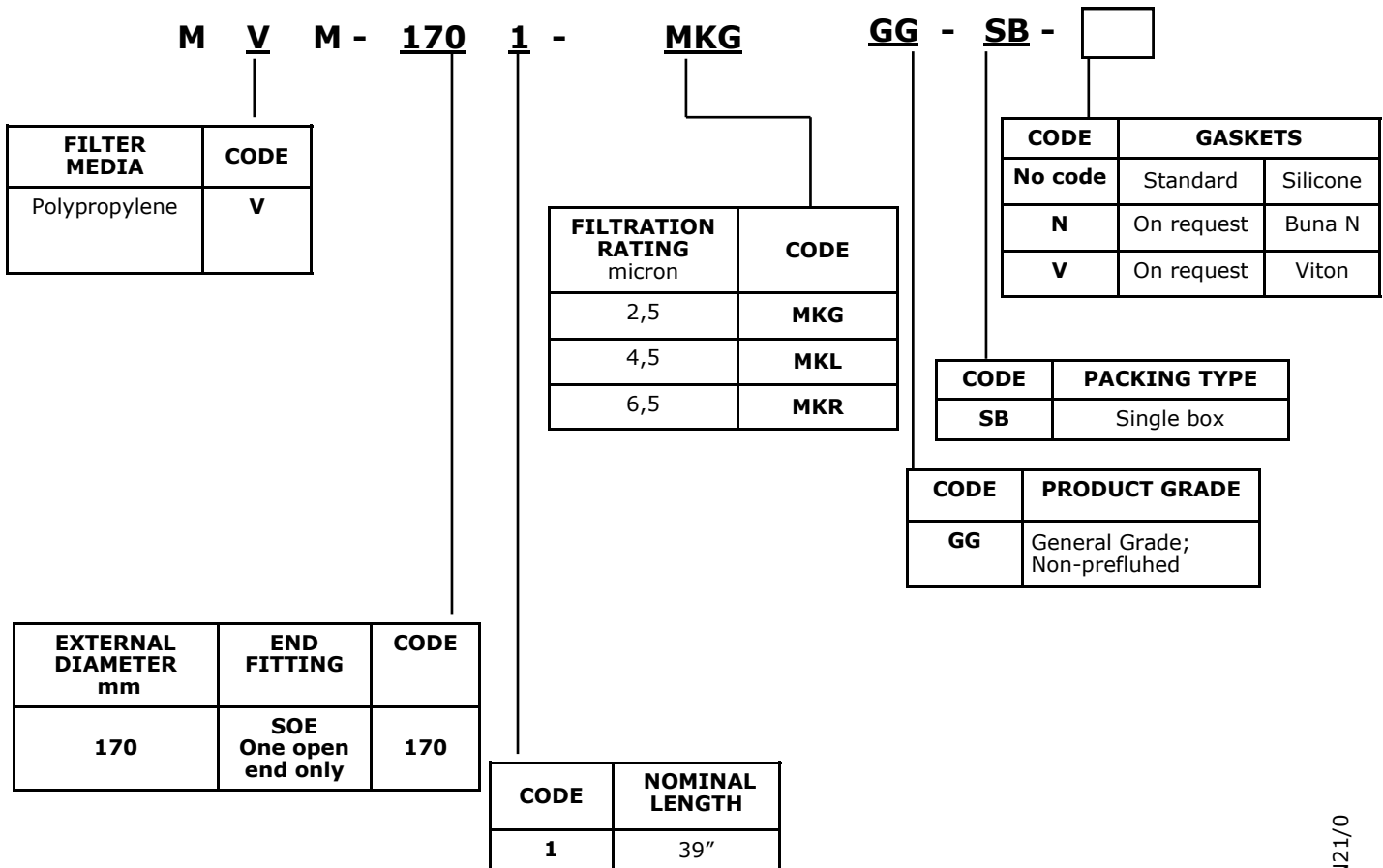
- max. continuous temperature	65 °C
- sanitization with chemicals	Can be sanitized by standard chemical agents
- max. differential pressure	3,5 bar at 25 °C
- recommended change out differential pressure	2,0 bar at 25 °C

CODE	FILTRATION RATING IN LIQUIDS	MAX. FLOWRATE FOR LENGTH 39" m ³ /h ΔP <0,1 bar
MKG	2,5 µm	10
MKL	4,5 µm	10
MKR	6,5 µm	15

WATER FLOW RATE FOR 39" CARTRIDGE



MAGNEX VIP ORDERING INFORMATION



Data contained in this bulletin are informative and subject to change without notice. User is responsible for determining whether the product is fit for particular purpose and suitable for User's method of application.

DS-MVM-B-026-EN21/0



Bea Technologies Spa Via Newton, 4 - 20016 Pero (Milano) ITALY
 Tel +39 02 339271 FAX +39 02 3390713 e-mail: info@bea-italy.com
 web: www.bea-italy.com